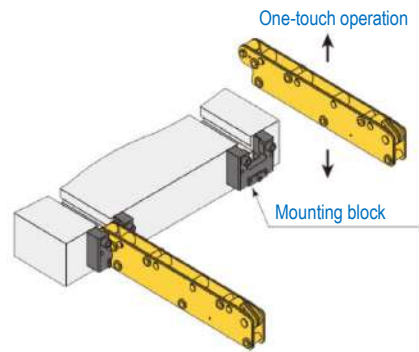


Pascal Pre-Roller PRA

Removable (Standard)



model **PRA**



		Die travel	mm	200	250	315	355	400	450	500	560	630	710	800	850	900	950	1000
PRA2	Allowable load *	kN		8	8	5	5	4	4	3	2.5	2.5	-	-	-	-	-	-
	Number of rollers			3	4	4	5	5	6	6	7	7	-	-	-	-	-	-
	Weight	kg		3.1	3.7	4.2	4.7	5.1	5.5	5.9	6.6	7.2	-	-	-	-	-	-
PRA3	Allowable load	kN		-	-	16	16	13	10	8	8	8	6	5	5	4	4	3
	Number of rollers			-	-	4	4	5	5	6	6	7	7	7	8	8	8	9
	Weight	kg		-	-	7.6	8.4	9.5	10	11.1	12.1	13.4	14.7	16.3	17.4	18.4	19.2	20.3
PRA5	Allowable load	kN		-	-	-	-	25	20	16	16	13	13	10	10	8	8	8
	Number of rollers			-	-	-	-	4	5	5	6	6	7	7	8	8	9	9
	Weight	kg		-	-	-	-	10.4	11.4	12.2	13.6	15.1	16.9	18.1	19.2	20.1	21.5	22.5

● Die loading speed on Pre-roller : Less than 50 mm/s ● Die transfer speed : Less than 100 mm/s ● Weight does not include mounting block.

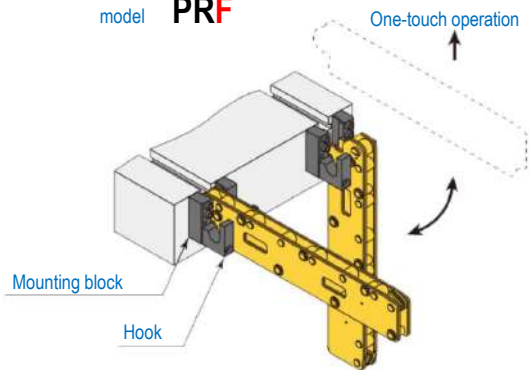
* Allowable load is a static load measured at the position of ¼ of the die travel from the stopper. Select Pre-roller where allowable load (kN) multiplied by the quantity is greater than the die weight. SI conversion : Die weight (kN) = Die weight (kgf) x 9.8 ÷ 1000

Pascal Pre-Roller PRF

Removable & fold type



model **PRF**



		Die travel	mm	200	250	315	355	400	450	500	560	630	710	800	850	900	950	1000
PRA2	Allowable load *	kN		8	8	5	5	4	4	3	2.5	2.5	-	-	-	-	-	-
	Number of rollers			3	4	4	5	5	6	6	7	7	-	-	-	-	-	-
	Weight	kg		3.1	3.7	4.2	4.7	5.1	5.5	5.9	6.6	7.2	-	-	-	-	-	-
PRA3	Allowable load	kN		-	-	16	16	13	10	8	8	8	6	5	5	4	4	3
	Number of rollers			-	-	4	4	5	5	6	6	7	7	7	8	8	8	9
	Weight	kg		-	-	7.6	8.4	9.5	10	11.1	12.1	13.4	14.7	16.3	17.4	18.4	19.2	20.3
PRA5	Allowable load	kN		-	-	-	-	25	20	16	16	13	13	10	10	8	8	8
	Number of rollers			-	-	-	-	4	5	5	6	6	7	7	8	8	9	9
	Weight	kg		-	-	-	-	10.4	11.4	12.2	13.6	15.1	16.9	18.1	19.2	20.1	21.5	22.5

● Die loading speed on Pre-roller : Less than 50 mm/s ● Die transfer speed : Less than 100 mm/s

● Weight does not include mounting block.

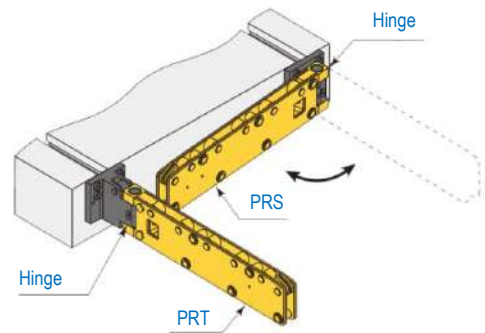
* Allowable load is a static load measured at the position of ¼ of the die travel from the stopper. Select Pre-roller where allowable load (kN) multiplied by the quantity is greater than the die weight. SI conversion : Die weight (kN) = Die weight (kgf) x 9.8 ÷ 1000

Pascal Pre-Roller PRS / PRT

Horizontally fold type



model **PRS / PRT**



Die travel		mm	315	355	400	450	500	560	630	710	800	850	900	950	1000
PRS3	Allowable load *	kN	16	16	13	13	10	8	8	6	-	-	-	-	-
	Number of rollers		3	3	3	4	4	5	5	6	-	-	-	-	-
	Weight	kg	11.3	12.1	12.9	14	15	16.2	17.4	19.2	-	-	-	-	-
PRT3	Allowable load	kN	16	16	13	10	8	8	8	6	-	-	-	-	-
	Number of rollers		3	4	4	4	5	6	6	7	-	-	-	-	-
	Weight	kg	12.6	13.5	14.4	15.4	16.4	17.7	18.9	20.6	-	-	-	-	-
PRS5	Allowable load	kN	-	-	-	-	16	16	16	13	10	10	8	8	6
	Number of rollers		-	-	-	-	5	5	5	6	7	7	7	8	8
	Weight	kg	-	-	-	-	24.3	26	28	30.4	33.1	34.4	35.8	37.4	38.8
PRT5	Allowable load	kN	-	-	-	-	16	16	16	13	10	10	8	8	6
	Number of rollers		-	-	-	-	5	5	5	6	7	7	7	8	8
	Weight	kg	-	-	-	-	27.3	27.3	30.8	33.3	36.1	37.5	38.9	40.4	41.5
PRS8	Allowable load	kN	-	-	-	-	-	-	25	20	16	16	16	13	13
	Number of rollers		-	-	-	-	-	-	5	6	6	7	7	8	8
	Weight	kg	-	-	-	-	-	-	44.8	47.3	49.9	51.5	52.9	54.6	56.1
PRT8	Allowable load	kN	-	-	-	-	-	-	25	20	16	16	16	13	13
	Number of rollers		-	-	-	-	-	-	5	6	7	7	8	8	8
	Weight	kg	-	-	-	-	-	-	51.5	53.5	56.5	57.9	59.5	60.9	62.3

• Die loading speed on Pre-roller : Less than 50 mm/s • Die transfer speed : Less than 100 mm/s.

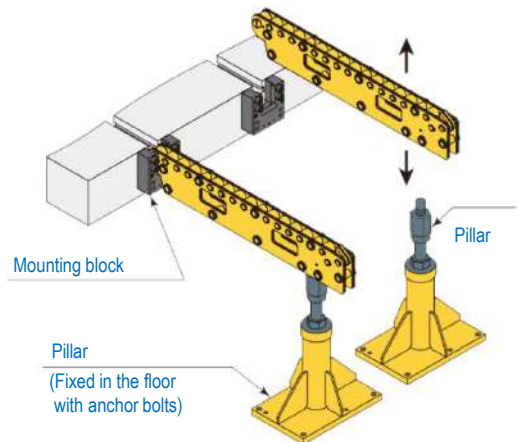
* Allowable load is a static load measured at the position of ¼ of the die travel from the stopper. Select Pre-roller where allowable load (kN) multiplied by the quantity is greater than the die weight. SI conversion : Die weight (kN) = Die weight (kgf) x 9.8 ÷ 1000

Pascal Pre-Roller PRC

Heavy load type



model **PRC**



Die travel		mm	710	800	850	900	950	1000	1250
PRC3	Allowable load *	kN	30	30	25	25	25	20	16
	Number of rollers		12	12	14	14	16	16	22
	Weight	kg	15.4	16.9	18.3	19.2	20.5	21.3	27.5
PRC5	Allowable load	kN	-	-	-	-	-	35	35
	Number of rollers		-	-	-	-	-	14	18
	Weight	kg	-	-	-	-	-	29.8	38

• Die loading speed on Pre-roller : Less than 50 mm/s • Die transfer speed : Less than 100 mm/s.

• Weight does not include mounting block and pillar.

* Allowable load is uniformly distributed and is held by the middle part of the Pre-roller. Select Pre-roller where allowable load (kN) multiplied by the quantity is greater than the die weight. SI conversion : Die weight (kN) = Die weight (kgf) x 9.8 ÷ 1000