

1. Pascal Pump X63

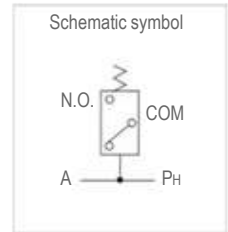


Model	X6306	X6308	X6310	X6312	X6316	X6320
Boosting ratio	97	58	37	24	15	9.2
Discharge pressure	Refer to "Performance Diagrams"					
Discharge flow	Refer to "Performance Diagrams"					
Air pressure range	0.2 ~ 0.7 MPa					
Air consumption	0.4 Nm <sup>3</sup> /min					
Operating noise	78 ± 1 d b (A)					
Operating temperature	0 ~ 70 °C (No frozen)					
Mass	2.5 kg		2.6 kg		2.7 kg	

2. Pascal Pressure switch SAA

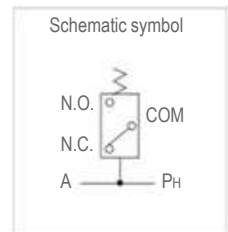


Model	SAA210P-F	
Application	Clamp confirmation	
Set pressure ( ※ )	(MPa)	24.5 MPa CIRCUIT <b>INC. 14.7 (150 kgf/cm<sup>2</sup>)</b> 13.7 MPa CIRCUIT <b>INC. 8.82 (90 kgf/cm<sup>2</sup>)</b>
Set pressure precision	Within ± 1.0 %	
Shock resistance force	max. 30G	
Working ambient temperature (°C)	-5 ~ 70	
Working fluid	ISO-VG32 equivalent normal operation oil Water-Glycol	
Proof pressure (MPa)	68.6	
Range of set pressure (MPa)	Working pressure on pressurized (INC.) 1.96 ~ 20.5 Working pressure on depressurized (DEC.) 0.49 ~ 18.1	
Differential pressure (MPa)	1.47 ~ 2.45	
Rating	UL/CSA rating AC125V, 250V, 480V-10A 1/8HP-AC250V DC 125V-1/2A DC 250V-1/4A	
Switch model	BZ-2RD3000-T4-J (Azbil Corporation)	
Contact arrangement	Single Pole Double Throw (SPDT)	
Mass (kg)	0.6	



※ The set pressure is subject to the circuit pressure. Refer to the drawing for approval.

Model	SAA40E-F	
Application	Die-lifter down confirmation	
Set pressure ( ※ )	(MPa)	<b>DEC. 1.96 (20 kgf/cm<sup>2</sup>)</b>
Set pressure precision	Within ± 1.0 %	
Shock resistance force	max. 30G	
Working ambient temperature (°C)	-5 ~ 70	
Working fluid	ISO-VG32 equivalent normal operation oil Water-Glycol	
Proof pressure (MPa)	68.6	
Range of set pressure (MPa)	Working pressure on pressurized (INC.) 0.49 ~ 3.92 Working pressure on depressurized (DEC.) 0.20 ~ 3.43	
Differential pressure (MPa)	0.29 ~ 0.49	
Rating	UL/CSA rating AC125V, 250V, 480V-10A 1/8HP-AC125V 1/4HP-AC250V DC 125V-1/2A DC 250V-1/4A	
Switch model	BZ-2RD3000-T4-J (Azbil Corporation)	
Contact arrangement	Single Pole Double Throw (SPDT)	
Mass (kg)	0.6	

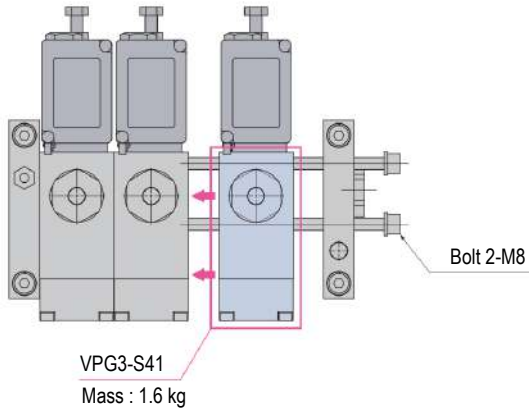


※ The set pressure is subject to the circuit pressure. Refer to the drawing for approval.

### 3. Pascal Valve VPG / VPG-H

When servicing : to be replaced by a valve block

**VPG**



When servicing : to be replaced by a valve cartridge

**VPG-H**

